

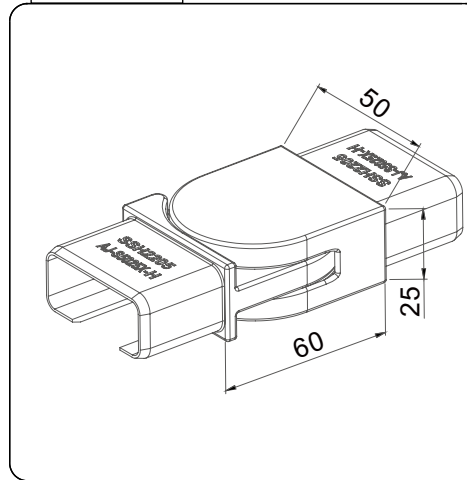
Drawing ID

AJ-S5025X-H

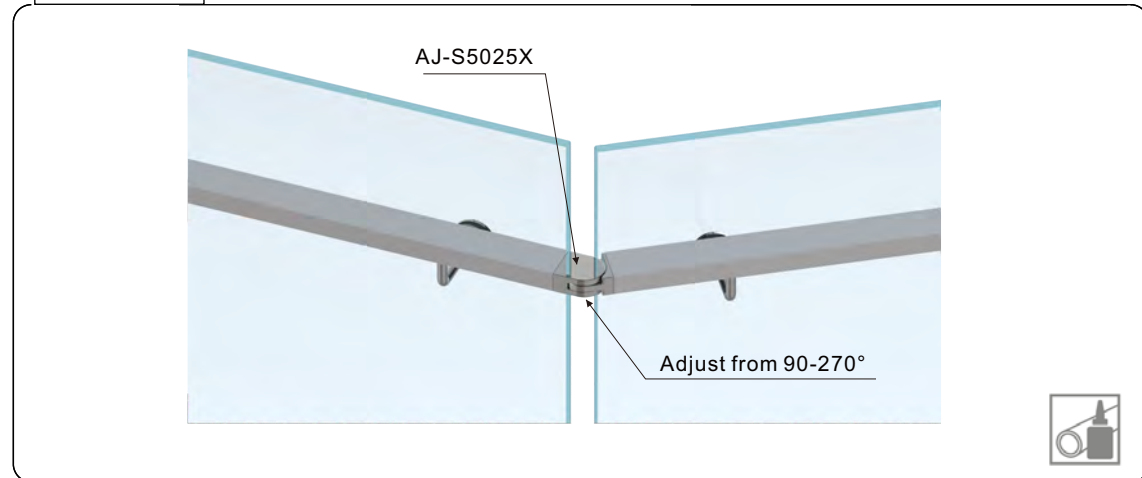
Product Info.

Finish	Code
Polish	AJ-S5025M-H
Satin	AJ-S5025S-H
Texture Black	AJ-S5025B-H

Dimensions



Instructions



MATERIAL:

2205 Stainless Steel

CATALOGUE AND DESCRIPTION:

- > Railing Systems
- > Handrail & Fittings - S5025 Series
- > Horizontal Adjustable Joiner for 50 x 25 Rectangle Tube

NOTES:

This drawing and or specification is the property of Silver Stone Hardware Pty Ltd - and must be returned to them on request. Unauthorised use may result in Legal Action. Its contents must not be made public, nor copied, nor used directly or indirectly in any way.

SILVER STONE HARDWARE PTYLID

56-62 Bryant Street, Padstow, NSW 2211
 T: (02) 9792 2955 M: 0452 526 680
www.silverstonehardware.com.au
sales@silverstonehardware.com.au